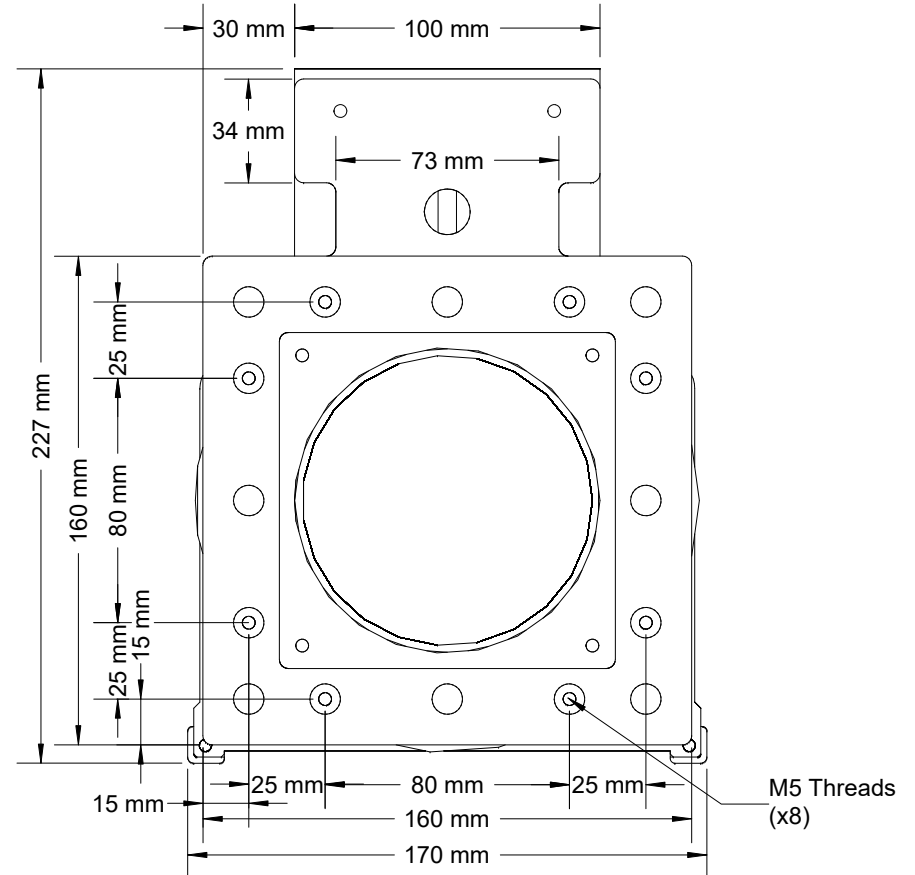
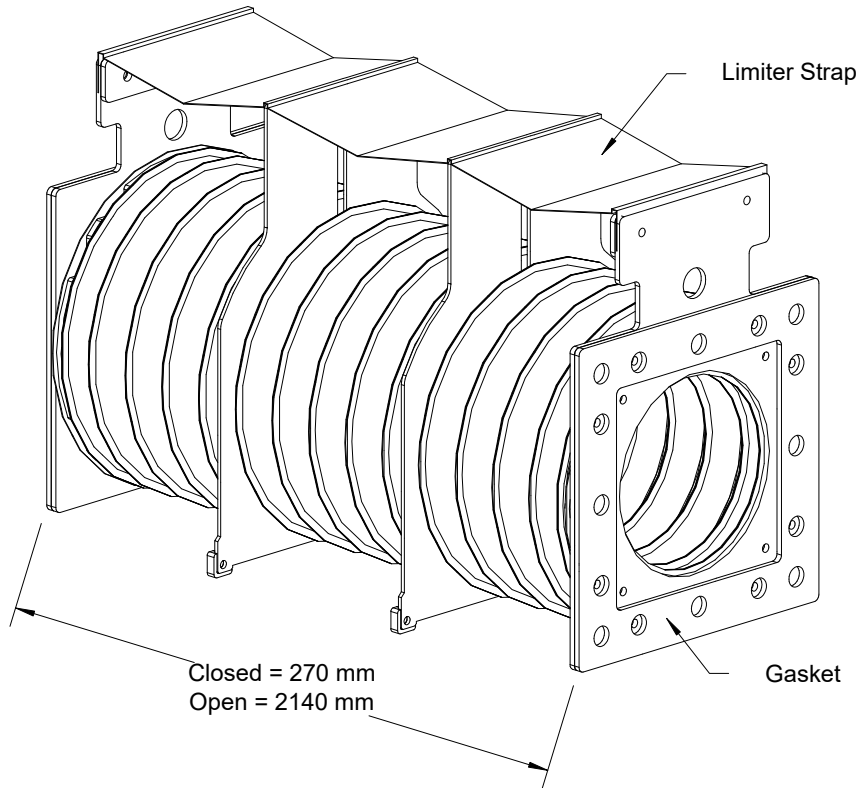



NO. RBT323/3040/L32BY

SUPSDS.

QTY	PRODUCT	NEXT ASSY. DWG.	NO.	DESCRIPTION OF CHANGE	SCO	DATE	BY
				NEW ISSUE		07/29/20	DSE



Note: Dimensions are for identification purposes only and not for inspection.

TOLERANCES UNLESS OTHERWISE SPECIFIED				THIS DOCUMENT IS THE PROPERTY OF RICHARDSON ELECTRONICS, LTD. AND SHALL NOT BE COPIED, REPRODUCED, USED IN THE MANUFACTURE OR SALE OF APPARATUS OR DISCLOSED TO OTHERS WITHOUT PERMISSION.
FRACTIONS $\pm 1/64$		DECIMALS: .X $\pm .1$ .XXX $\pm .005$		
ANGLES $\pm 1/2^\circ$		.XX $\pm .01$ .XXXX $\pm .001$		
DO NOT SCALE DRAWING				 Richardson Electronics, Ltd. <b>Y BEAM BELLOWS REPLACES TRUMPF P/N 1354092</b>
DRAWN	DSE	SCALE	NTS	
ENG. MGR.		ENG. CHKD.		
ENG. MGR.		PRODN. APPD.		
MAT'L SPEC. NO.				
FINISH		PROD.		NO. RBT323/3040/L32BY
				REV.

