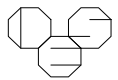
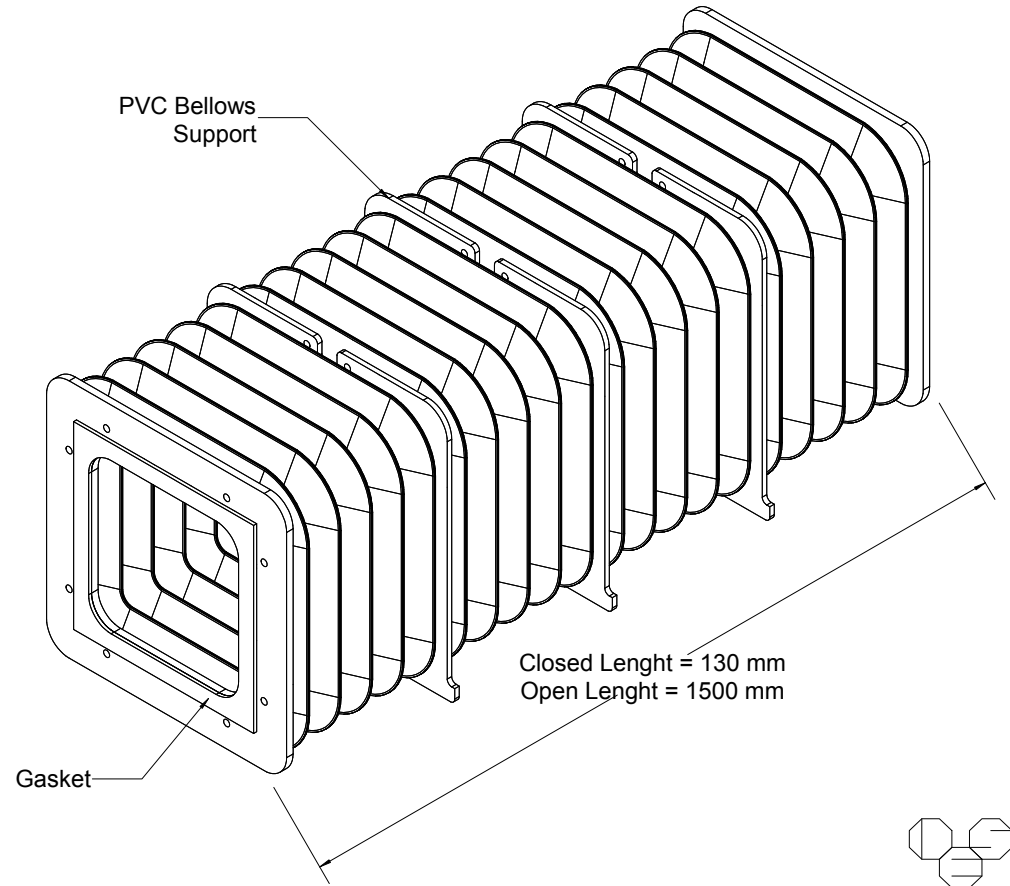
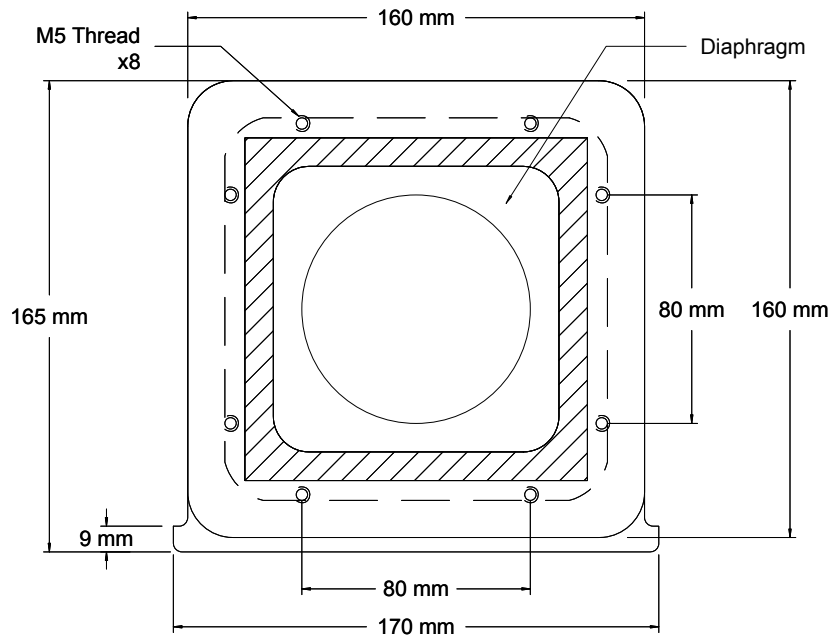


NO. RBT167/25BPY
 SUPSDS.

QTY	PRODUCT	NEXT ASSY. DWG.	NO.	DESCRIPTION OF CHANGE	SCO	DATE	BY
				NEW ISSUE		08/19/15	DSE



TOLERANCES UNLESS OTHERWISE SPECIFIED			
FRACTIONS ± 1/64		DECIMALS: .X ± .1	
ANGLES ± 1/2°		.XXX ± .005	
		.XX ± .01	
		.XXXX ± .001	
DO NOT SCALE DRAWING			
DRAWN	DSE	SCALE	NTS
ENG. MGR.		ENG. CHKD.	
ENG. MGR.		PRODN. APPD.	
MAT'L			
MAT'L. SPEC. NO.			
FINISH		PROD.	

THIS DOCUMENT IS THE PROPERTY OF RICHARDSON ELECTRONICS, LTD. AND SHALL NOT BE COPIED, REPRODUCED, USED IN THE MANUFACTURE OR SALE OF APPARATUS OR DISCLOSED TO OTHERS WITHOUT PERMISSION.

Richardson Electronics, Ltd.

**Y - BEAM PATH BELLOWS
 REPLACES TRUMPF
 P/N 0939012**

NO. RBT167/25BPY REV. 0

Note: Dimensions are for Identification purposes only and not for inspection