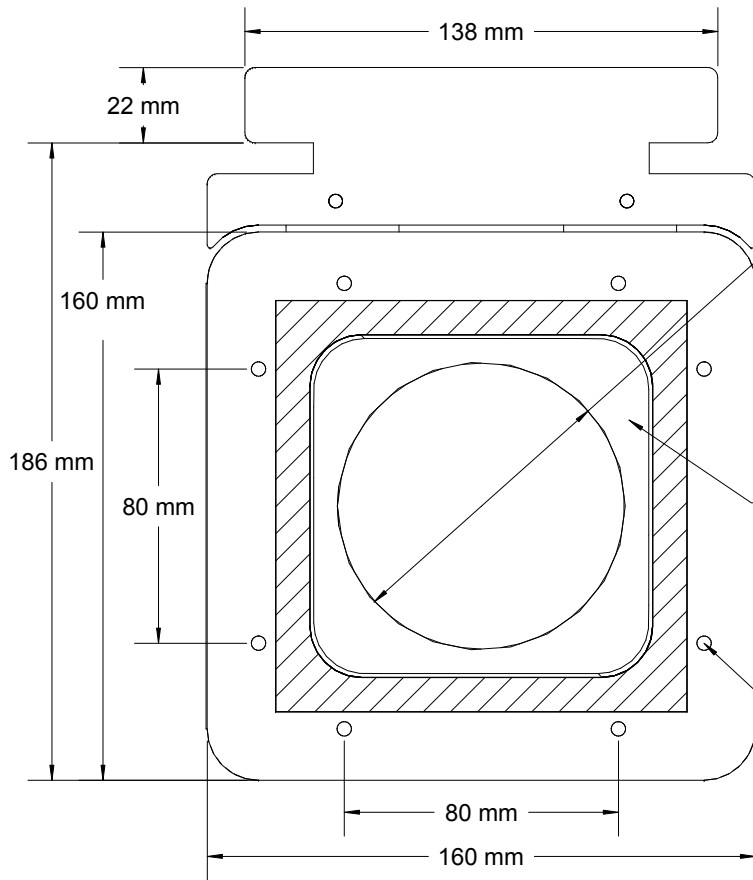


NO.	RBT103L/30BPX
SUPSDS.	

QTY	PRODUCT	NEXT ASSY. DWG.	NO.	DESCRIPTION OF CHANGE	SCO	DATE	BY
			0	NEW ISSUE		01/15/19	DSE



Hanger Supports

Ø84 mm

Gasket

Diaphragm

M5 Thread (x8)

Limiter Strap (Both Sides)

Closed Length = 350 mm
Open Length = 4000 mm



<p>TOLERANCES UNLESS OTHERWISE SPECIFIED FRACTIONS ±1/64 DECIMALS: .X ±.1 .XXX ±.005 ANGLES ±1/2° .XX ±.0XXXX ±.001</p>		<p>THIS DOCUMENT IS THE PROPERTY OF RICHARDSON ELECTRONICS, LTD. AND SHALL NOT BE COPIED, REPRODUCED, USED IN THE MANUFACTURE OR SALE OF APPARATUS OR DISCLOSED TO OTHERS WITHOUT PERMISSION.</p>	
<p>DO NOT SCALE DRAWING</p>		<p>Richardson Electronics, Ltd.</p>	
<p>DRAWN</p>	<p>DSE</p>	<p>SCALE</p>	<p>NTS</p>
<p>ENG. MGR.</p>		<p>ENG. CHKD.</p>	
<p>ENG. MGR.</p>		<p>PRODN. APPD.</p>	
<p>MAT'L</p>			
<p>MAT'L SPEC. NO.</p>		<p>NO.</p>	<p>RBT103L/30BPX</p>
<p>FINISH</p>	<p>PROD.</p>	<p>REV.</p>	<p>0</p>

**X - BEAM PATH BELLOWS
REPLACES TRUMPF
P/N 0939015**